



# VRLA Battery **SPA 12-7.2**

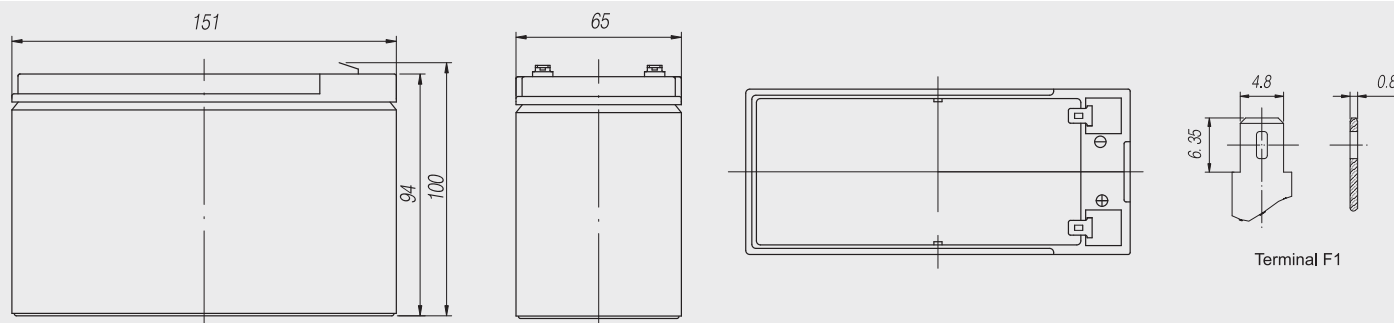
## Specifications

**Nominal Voltage** 12 V

Rated Capacity (25 °C)	20hr Rate (1,80V/cell)	10hr Rate (1,80V/cell)	5hr Rate (1,70V/cell)	1hr Rate (1,60V/cell)			
	7,0 Ah	6,5 Ah	6,1 Ah	4,6 Ah			
Dimensions (mm) & Weight (kg)	Length	Width	Height	Overall Height	Weight		
	151mm	65mm	94mm	100mm	2,37kg		
<b>Number / Type of Terminals</b>	<b>2 / F1</b>						

## Technical Characteristics

<b>Design Life at 20°C</b>	5 years
<b>Eurobat Classification</b>	Standard Commercial
<b>Internal Resistance (Fully charged - 25°C)</b>	30 mΩ
<b>Short-circuit current</b>	350 A
<b>Max Charging Current</b>	2,8 A
<b>Min safe end Discharge Voltage</b>	1,60 V/cell
<b>Self discharge per month at 20°C</b>	3%
<b>Recommended Charging Voltage at 20°C</b>	Stand-by use (V/cell): 2,25 to 2,30 Cycle use (V/cell): 2,40 to 2,50
<b>Container Material</b>	ABS-UL94 HB
<b>Electrolyte Type</b>	Sulfuric Acid
<b>Type of plates / Alloy</b>	Flat plates / Lead-Calcium-Tin alloy
<b>Type of Separator</b>	Absorbant Glass Mat
<b>Valve Type / Operational Pressure</b>	Rubber / 1-3 psi (70-200 mbar)
<b>Operating Temperature Range</b>	-20 to +50°C
<b>Storage time at 20°C</b>	9 months



## SYSTEMS SUNLIGHT S.A.

### Headquarters

2 Ermou & Nikis Str., Syntagma Sq.  
105 63 Athens, Attica, Greece

T +30 210 6245400 F +30 210 6245409

### European Manufacturing Plant

672 00 Neo Olvio, Xanthi, Greece

T +30 25410 48100 F +30 25410 95446

### Global Service Department

366 Tatoiou Str.

136 73 Acharnes, Attica, Greece

T +30 210 6245600 F +30 210 6245619

 **SUNLIGHT**  
Reliable Battery Solutions

[www.systems-sunlight.com](http://www.systems-sunlight.com)